

ifm electronic



Installation instructions
AS-i power supplies
single phase

UK

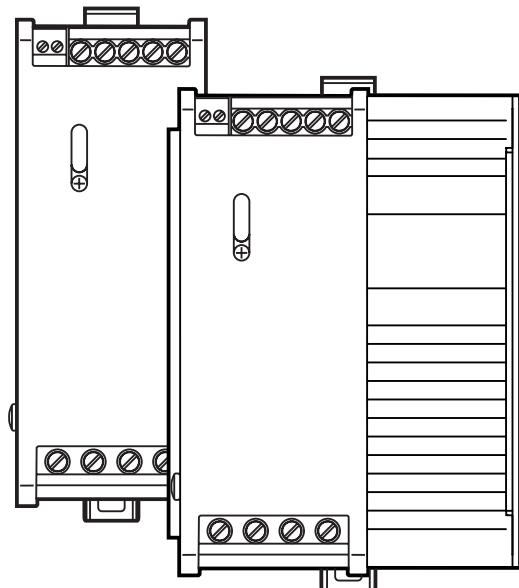
ecomat300[®]

AS-i Power Supply

AC123x

AC124x

7390790 / 00 02 / 2010



Contents

| | |
|--|---|
| 1 Preliminary note..... | 3 |
| 1.1 Notes on this document..... | 3 |
| 1.2 Symbols used | 3 |
| 1.3 Warning signs used | 3 |
| 2 Safety instructions | 4 |
| 2.1 General..... | 4 |
| 2.2 Installation and connection | 4 |
| 2.3 Tampering with the device | 4 |
| 3 Functions and features | 4 |
| 4 Installation..... | 5 |
| 4.1 Installation position of the device..... | 5 |
| 4.2 Place device onto the DIN rail | 6 |
| 4.3 Remove the device..... | 6 |
| 5 Electrical connection..... | 7 |
| 5.1 Core cross sections | 7 |
| 5.2 External fuse | 7 |
| 5.3 Screen connection..... | 8 |
| 6 Operating and display elements | 8 |
| 6.1 LED states | 8 |
| 7 Operation..... | 8 |
| 8 Technical data..... | 9 |
| 8.1 Data sheets | 9 |
| 9 Maintenance, repair and disposal..... | 9 |
| 10 Approvals/standards | 9 |

1 Preliminary note

1.1 Notes on this document



This document applies to devices of the type "AS-i power supply" (art. no.: AC123x / AC124x).

It is part of the device and contains information about the correct handling of the product.

This document is intended for qualified electricians. These specialists are people who are qualified by their training and their experience to see and to avoid possible hazards that may be caused during operation of the device.

- ▶ Read this document before using the device.
- ▶ Keep this document during the service life of the device.

1.2 Symbols used

- ▶ Instructions
- > Reaction, result
- [...] Designation of pushbuttons, buttons or indications
- Cross-reference
-  Important note
Non-compliance can result in malfunction or interference.
-  Information
Supplementary note

1.3 Warning signs used

WARNING

Warning of serious personal injury.
Death or serious irreversible injuries may result.

CAUTION

Warning of personal injury.
Slight reversible injuries may result.

2 Safety instructions

2.1 General

- ▶ Observe these operating instructions.
- ▶ Adhere to the warning notes on the product.

Non-observance of the instructions, operation which is not in accordance with use as prescribed below, wrong installation or incorrect handling can affect the safety of operators and machinery.

2.2 Installation and connection

The unit must only be installed, connected and put into operation by a qualified electrician as the safe function of the unit and machinery is only guaranteed when installation is correctly carried out.

The installation and connection must comply with the applicable national and international standards. Responsibility lies with the person installing the device.

2.3 Tampering with the device

Tampering with the device is not allowed and will lead to an exclusion of liability and warranty. Tampering with the device can affect the safety of operators and machinery.

- ▶ Do not open the device.
- ▶ Do not insert any objects into the device.
- ▶ Prevent metal foreign bodies from penetrating.

3 Functions and features

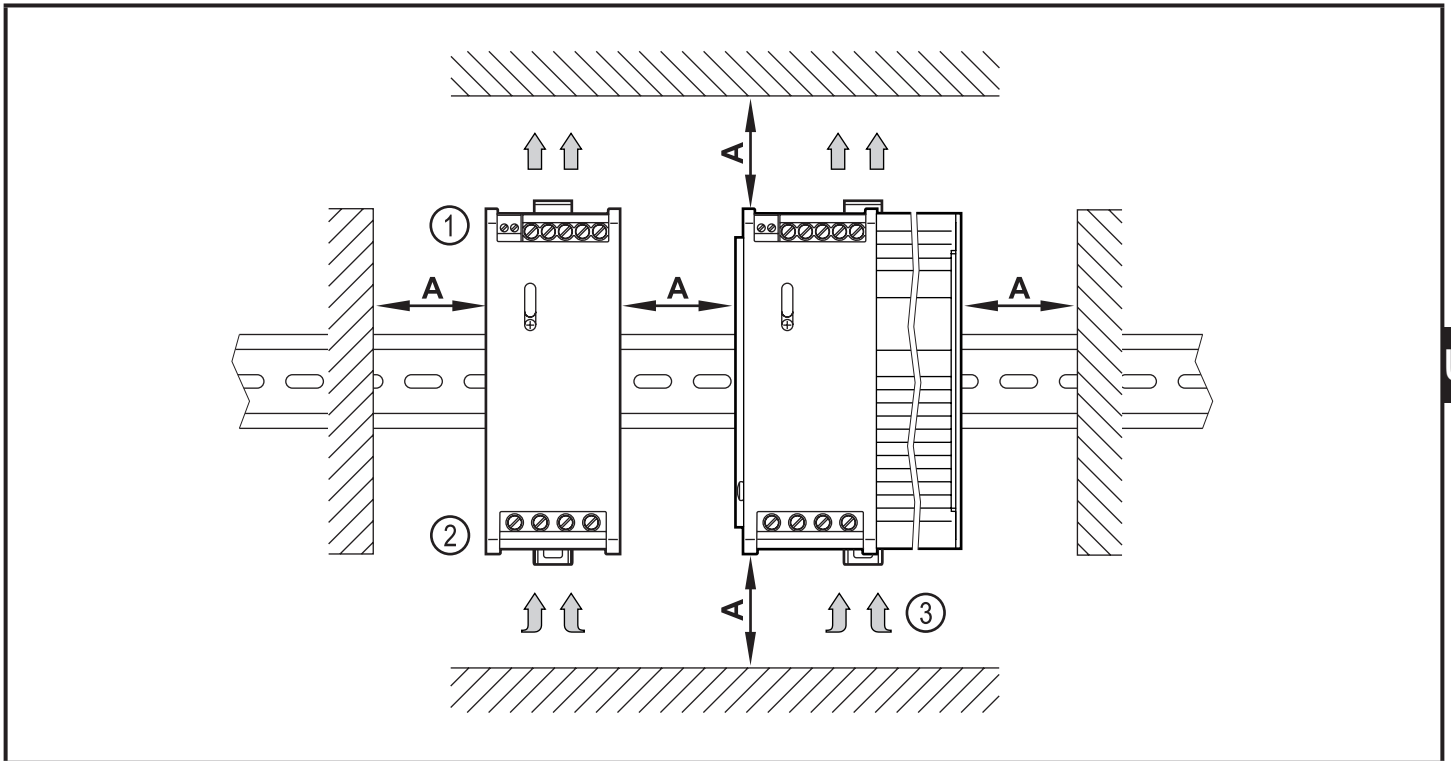
- The device is used for supplying AS-i participants and contains the data coupling.
- It is intended for installation in a dry, closed environment (e.g. control cabinet).
- ▶ Observe the connection values and the permissible environmental conditions → device label or data sheet.

WARNING

Do not use the device in applications where a malfunction of the device presents a danger to people.

4 Installation

4.1 Installation position of the device



1: AS-i output voltage top

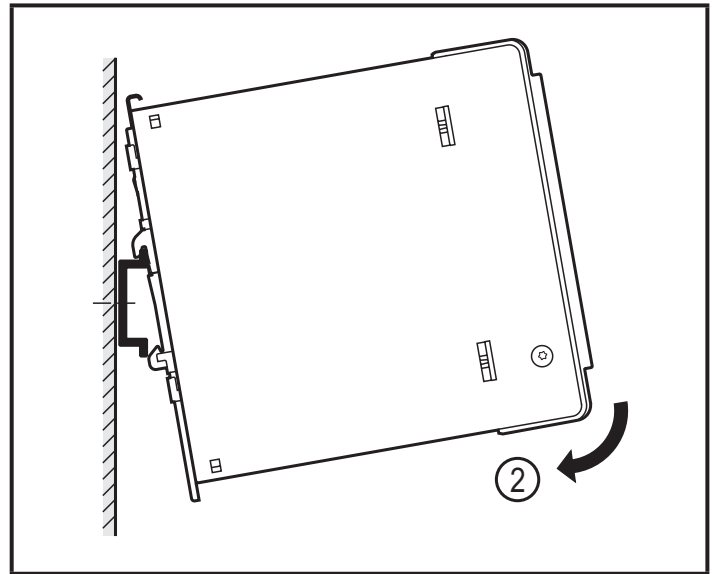
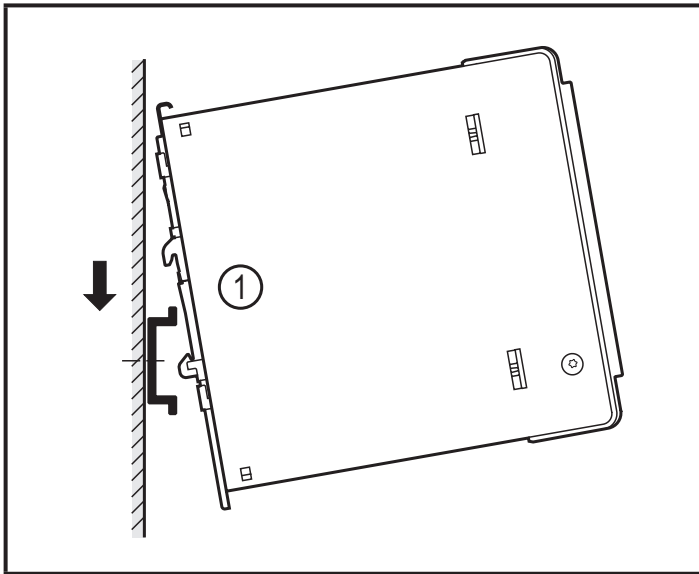
2: AC input voltage bottom

3: Convection cooling

A: Free space for convection cooling

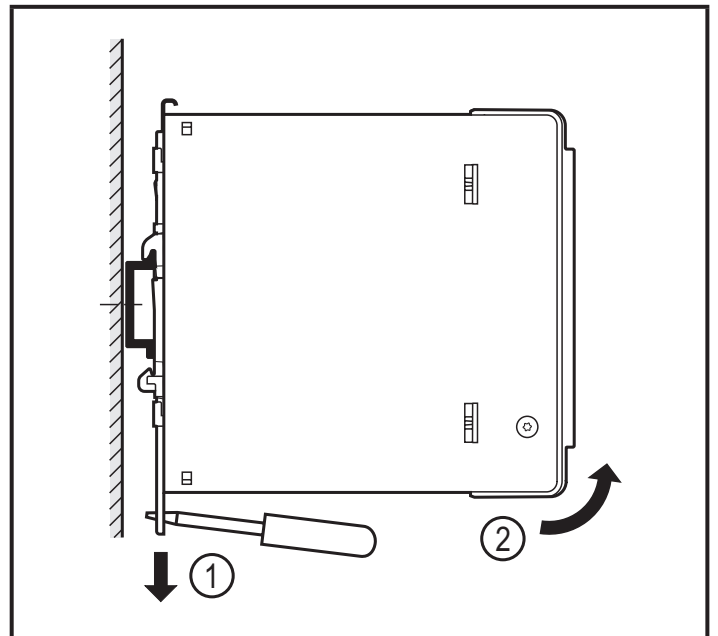
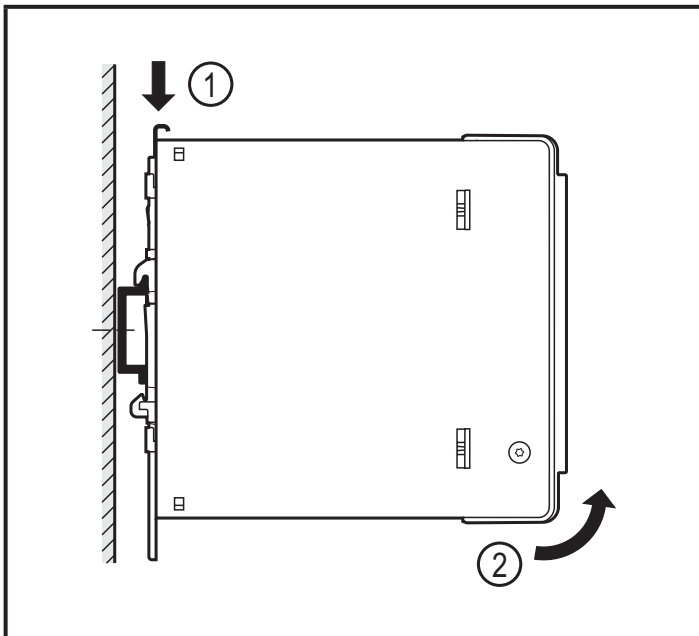
- ▶ Install the DIN rail for receiving the device horizontally.
- ▶ Keep to the clear space for convection cooling (→ data sheet).

4.2 Place device onto the DIN rail



1. Angle the device and hook it onto the upper edge of the DIN rail.
2. Push the device downwards and press to lock.
 - > The device audibly clips into place.

4.3 Remove the device



1. Press the locking clip downwards or alternatively use a screwdriver to pull it downwards.
2. Lift the device and remove it from the DIN rail.

5 Electrical connection

⚠ WARNING

Dangerous contact voltages. Electric shock possible in the case of contact.

- ▶ Disconnect the system from power before working with it.
- ▶ Protect the system against unintentional switch-on.
- ▶ Select the correct connecting cables for the load and the environmental conditions.
- ▶ Use wire end ferrules for flexible connection wires.

⚠ WARNING

Caution during operation when switched on. Due to protection rating IP 20 contact with dangerous contact voltages is possible.

- ▶ The device must only be operated by a qualified electrician.

- ▶ Connect the device according to the wiring arrangement.
- ▶ Do not use unmarked terminals.

Wiring → device label or data sheet.

Tightening torque for all terminals 0.5...0.6 Nm

5.1 Core cross sections

| Order numbers AC123x / AC124x | |
|-------------------------------|---|
| Connection AC, massive | 0.2...6 mm ² (24...10 AWG) |
| Connection AC, flexible | 0.2 (0.25 m end sleeve)...4 mm ² |
| Connection DC, massive | 0.2...6 mm ² (24...10 AWG) |
| Connection DC, flexible | 0.2 (0.25 m end sleeve)...4 mm ² |

5.2 External fuse

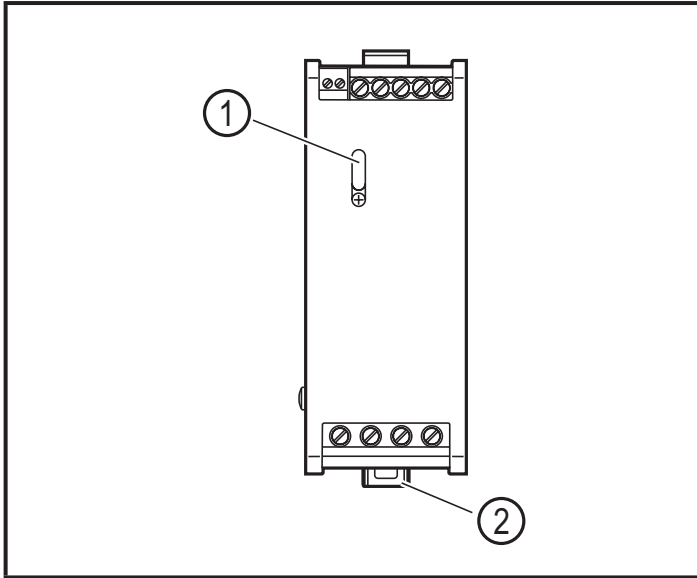
- ▶ Protect the AC input voltage by means of circuit-breakers (fuse rate → data sheet).
- ▶ Observe the national regulations.

UK

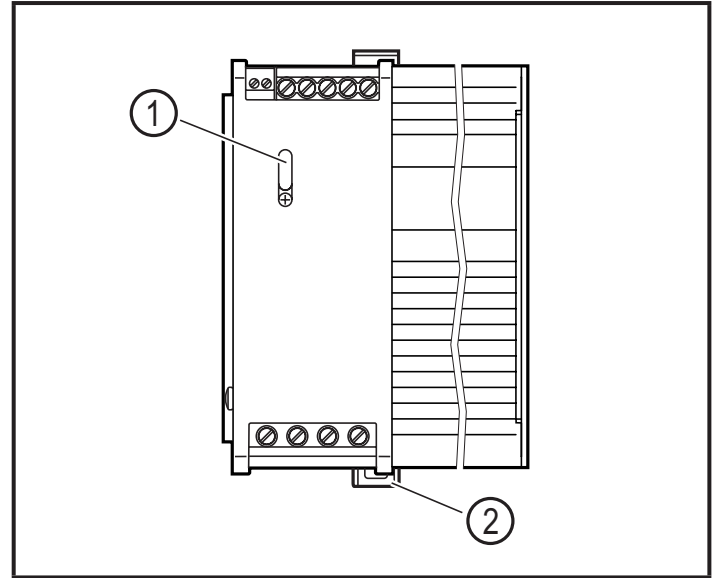
5.3 Screen connection

- ▶ Connect the screen of the unit to the machine earth so that the AS-i system is operated symmetrically with the machine potential.
- > Improvement of the noise immunity to symmetrical interference on the AS-i cables.
- > No shifting of the symmetry of the AS-i system.

6 Operating and display elements



Device width 50 mm



Device width > 50 mm

- 1: LED AS-i output voltage green (AS-i OK)
- 2: Locking clip

6.1 LED states

| LED green (AS-i OK) | Operating mode | AS-i output voltage |
|---------------------|------------------|---------------------|
| on | normal operation | $\geq 28 \text{ V}$ |
| off | overload | $< 24 \text{ V}$ |

7 Operation

⚠ CAUTION

Due to the internal heating there may be perceptible hot temperatures on the device surface. Can cause burns.

- ▶ Do not touch the device during operation or immediately after it has been switched off.

8 Technical data

8.1 Data sheets



Data sheets can be found at:

www.ifm.com → Data sheet direct: → AC123x / AC124x

9 Maintenance, repair and disposal

The device is maintenance-free and does not contain any components that need to be maintained by the user.

WARNING

Tampering with the device can affect the safety of operators and machinery. The device must only be repaired by the manufacturer.

- ▶ Do not open the housing.
- ▶ In case of malfunction of the device or uncertainties contact the manufacturer.

- ▶ Dispose of the device in accordance with the national environmental regulations.

10 Approvals/standards

Test standards and provisions → data sheet.



The EC declaration of conformity and approvals can be found at:

www.ifm.com → Data sheet direct: → AC123x / AC124x → Approvals