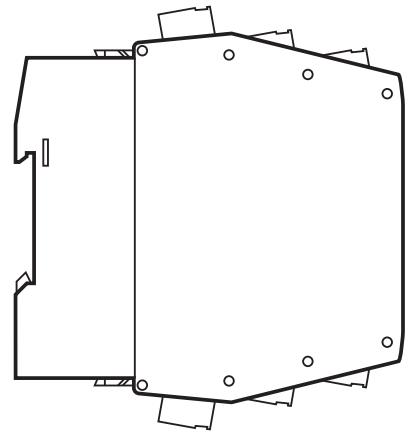


Installation instructions
AS-i module

UK

AC2252

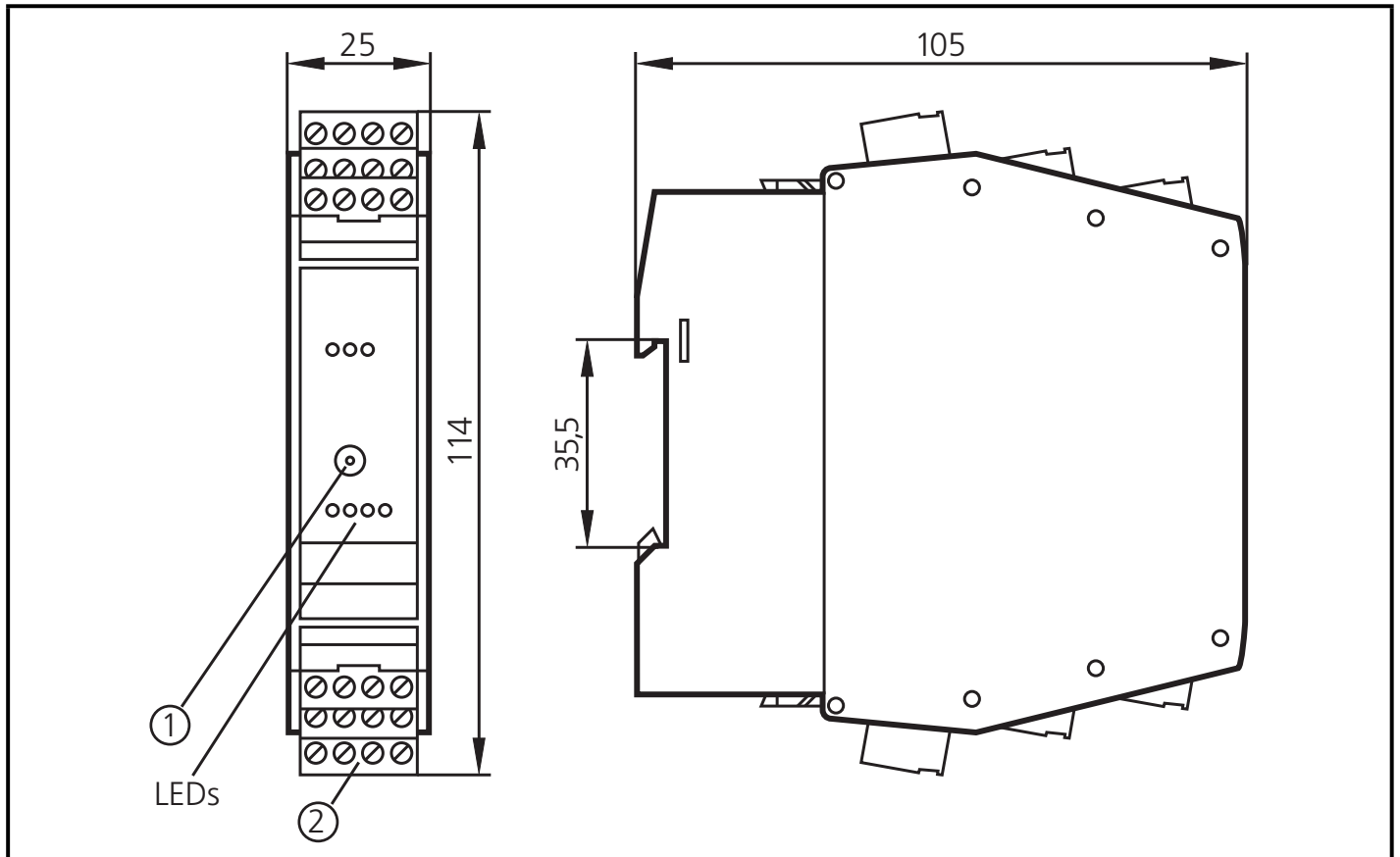
701441/05 07/2008



Function and features

- AS-i profile: S-8.0.E
- maximum number of modules per master: 31
- AS-interface version 2.1

Operating and display elements



- 1: addressing socket
2: Combicon plug with screw terminals (optional)

Mounting

Mount the module onto a 35 mm rail or fasten it onto a mounting device.

Technical data

You can download the data sheet from the Internet if required (www.ifm.com).

Addressing

Assign a free address between 1 and 31. At the factory the address is set to 0.

Addressing with the addressing unit AC1154

When mounted and wired the module can be addressed by connecting the addressing cable (E70213) to the implemented addressing socket.



Do not remove the addressing plug while live.

Electrical connection



Disconnect power! For the outputs O1 to O4 the external potential must be a voltage to PELV.

UK

| Connection | |
|------------|--|
| A+: | AS-i + |
| A-: | AS-i - |
| E+: | actuator supply +24 V |
| E-: | actuator supply +0 V |
| O1 ...O4: | switching output actuator 1 ...4 |
| LEDs 1: | AS-i, FAULT, AUX |
| LEDs 2: | switching status indication actuator outputs |
| ADR | addressing socket |

Operation

Check the safe functioning of the unit. Display by LEDs:

- LED green: voltage supply via the AS-i network or external voltage O.K.
- LED yellow: output switched
- LED red: AS-i communication error, e. g. slave address 0
- LED red flashing: peripheral error, output overloaded