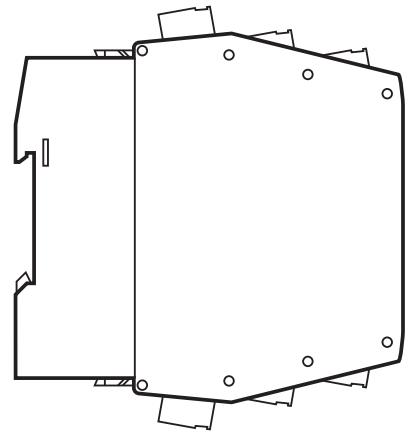


Installation instructions
AS-i module

UK

AC2254

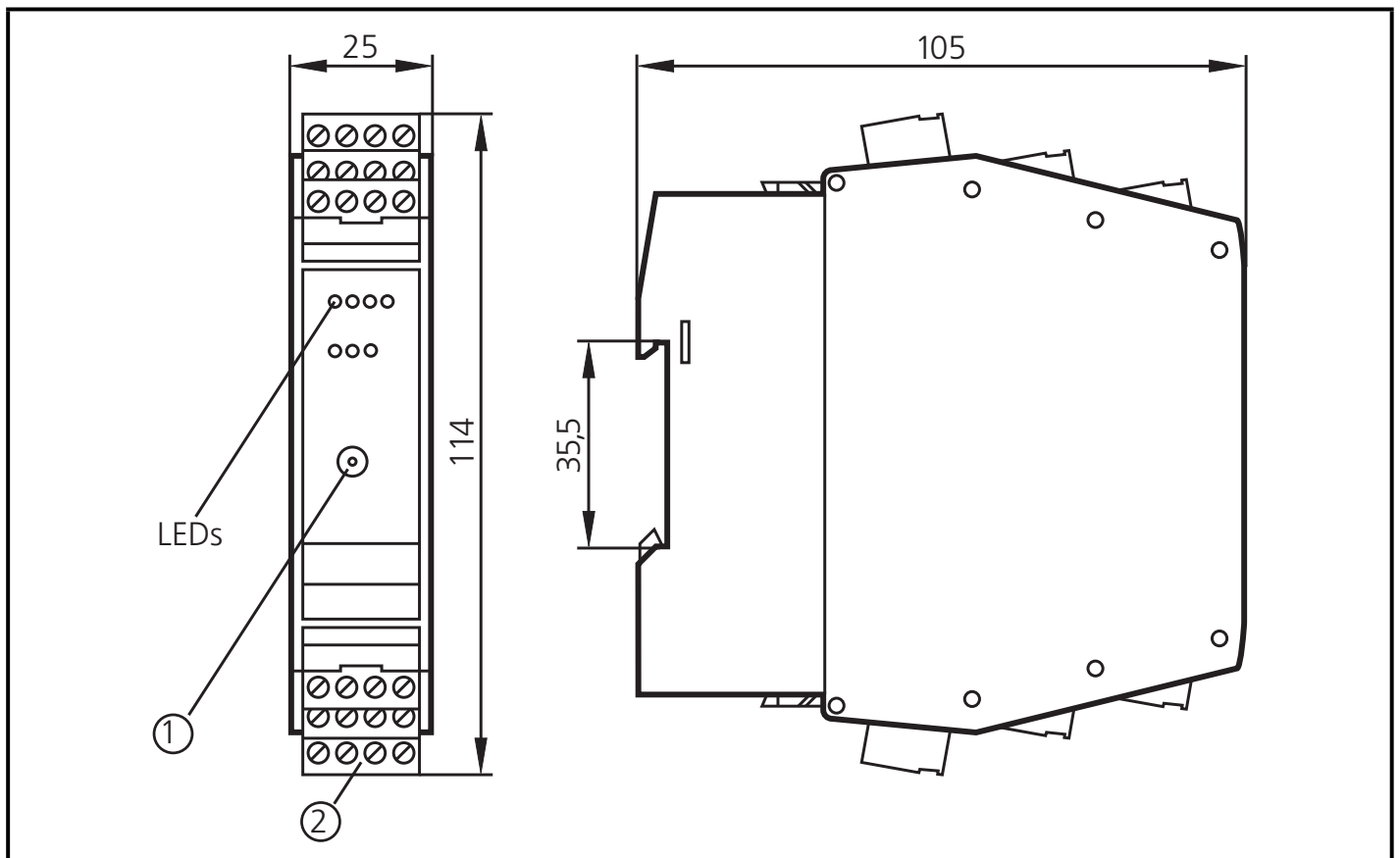
7390847/01 11/2018



Function and features

- AS-i profile S-0.A.E
- maximum number of modules per master: 31 (62 with AS-i master 2.1)
- extended addressing mode possible
- AS-interface version 2.1
- inputs must be supplied from an external PELV voltage source.

Operating and display elements



- 1: addressing socket
2: Combicon plug with screw terminals (optional)

Mounting

Mount the module onto a 35 mm rail or fasten it onto a mounting device.

Technical data

You can download the data sheet from the Internet if required (www.ifm.com).

Addressing

At the factory the address is set to 0.

Addressing with the addressing unit AC1154

When mounted and wired the module can be addressed by connecting the addressing cable (E70213) to the implemented addressing socket.



Do not remove the addressing plug while live.

If the slave is used with a master of the new generation (version 2.1), an address between 1A and 31B can be selected by means of the AC1154 addressing unit.

If a slave with the ID code „A“ (extended addressing mode possible) is used with a master of the first generation (version 2.0), the parameter P3 must be 1 and the output bit D3 = 0*. The output bit D3 must not be used.

UK

If a slave with the ID code „A“ (extended addressing mode possible) is used with a master of the first generation (version 2.0), an address between 1 and 31 must be assigned to this slave.

* default setting

Electrical connection



Disconnect power! Connect the sensors to the terminals. The sensors can be supplied via an external PELV voltage source.

Connection	
A+:	AS-i +
A-:	AS-i -
I+:	sensor supply +24 V
I-:	sensor supply 0 V
E+:	ext. sensor supply +24 V
E-:	ext. sensor supply 0 V
I1 ... I4:	switching inputs sensors 1...4
LEDs 1:	switching status indication sensor inputs
LEDs 2:	AS-i, FAULT, AUX
LEDs 3:	switching status indication actuator outputs
ADR	addressing socket

Operation

Check the safe functioning of the unit. Display by LEDs:

- LED green: voltage supply via the AS-i network O.K. or external power supply o.k.
- LED yellow: input switched
- LED red is lit: AS-i communication error, e.g. slave address 0
- LED red flashing: peripheral fault, e.g. no auxiliary voltage, input overloaded