

ifm electronic



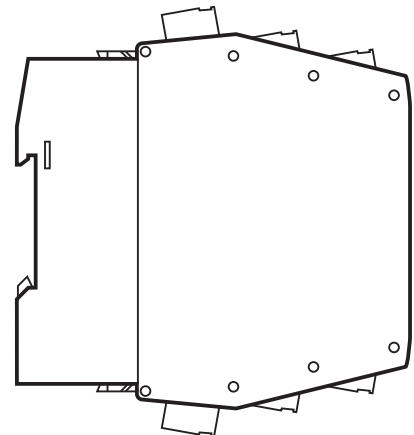
Operating instructions
AS-i module

ecomat300[®]

AC2255

UK

7390399/03 07/2015



Contents

1 Preliminary note.....	3
2 Safety instructions	3
3 Functions and features	3
4 Operating and display elements	4
5 Mounting	4
6 Addressing.....	4
6.1 Addressing with the addressing unit AC1154.....	4
7 Operation.....	5
8 Electrical connection.....	5
9 Maintenance, repair and disposal.....	6
10 Technical data.....	6

1 Preliminary note

► Instruction

> Reaction, result



Important note

Non-compliance can result in malfunction or interference.



Information

Supplementary note.

2 Safety instructions

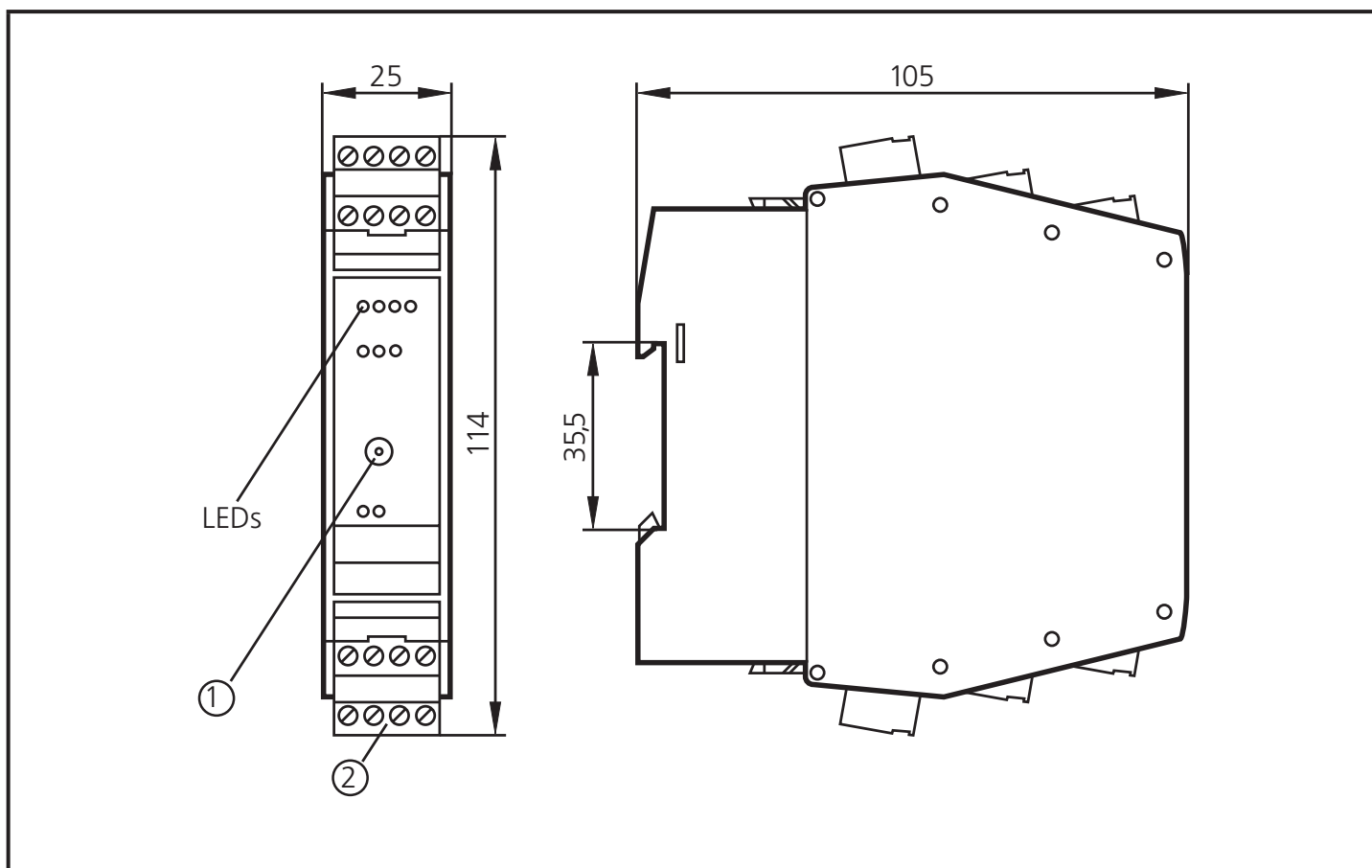
UK

- Please read the operating instructions prior to set-up of the device. Ensure that the product is suitable for your application without any restrictions.
- The unit conforms to the relevant regulations and EC directives.
- Improper or non-intended use may lead to malfunctions of the unit or to unwanted effects in your application.
- Installation, electrical connection, set-up, operation and maintenance of the unit must only be carried out by qualified personnel authorised by the machine operator.

3 Functions and features

- AS-i profile: S-7.A.E
- Relay contacts rated up to a voltage of 240 V
- Maximum number of modules per master: 31 (62 with AS-i master 2.1)
- AS-Interface version 2.1, extended addressing mode possible
- Input supply from external PELV / NON PELV voltage source
- This module is only intended for installation in closed electrical operating areas.

4 Operating and display elements



1: Addressing socket

2: Combicon plug with screw terminals (optional)

5 Mounting

► Mount the module onto a 35 mm rail or fasten it onto a mounting device.

6 Addressing

At the factory the address is set to 0.

6.1 Addressing with the addressing unit AC1154

The mounted and wired module can be addressed with the addressing cable (E70213) via the addressing socket.

If the slave is used with a master of the new generation (version 2.1), an address between 1A and 31B can be selected by means of the addressing unit AC1154.

If a slave with the ID code "A" (extended addressing mode possible) is used with a master of the first generation (version 2.0), the parameter P3 must be 1 and the output bit D3 = 0*. The output bit D3 must not be used.

If a slave with the ID code "A" (extended addressing mode possible) is used with a master of the first generation (version 2.0), an address between 1 and 31 must be assigned to this slave.

* default setting

7 Operation

LED green lights:	Voltage supply via the AS-i network o.k. or external power supply o.k.
LED yellow lights:	Input/output switched
LED red lights:	AS-i communication error, e. g. slave address 0
LED red flashing:	Peripheral fault, e.g. no auxiliary voltage

UK

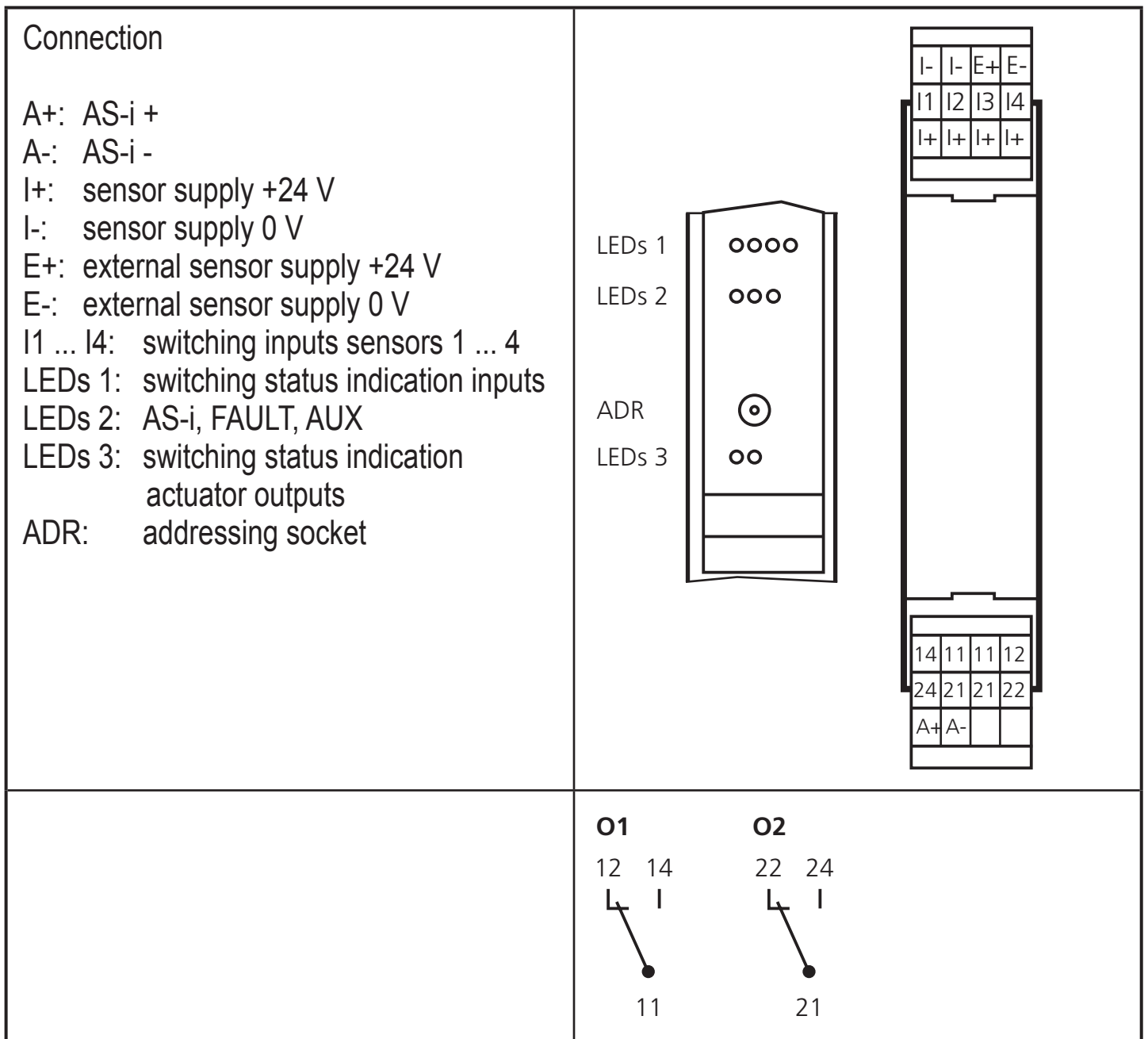
8 Electrical connection



The unit must be connected by a qualified electrician.

The national and international regulations for the installation of electrical equipment must be adhered to.

- ▶ Disconnect power.
- ▶ Connect the sensors with the terminals. The sensors must be supplied via an external PELV or NON PELV voltage source.
- ▶ All outputs (relays) must be supplied with the same voltage (e.g. 2 x 240 V AC or 2 x 24 V DC).



9 Maintenance, repair and disposal

After use dispose of the unit in an environmentally friendly way in accordance with the applicable national regulations.

10 Technical data

Technical data and further information at www.ifm.com → Select your country → Data sheet direct

