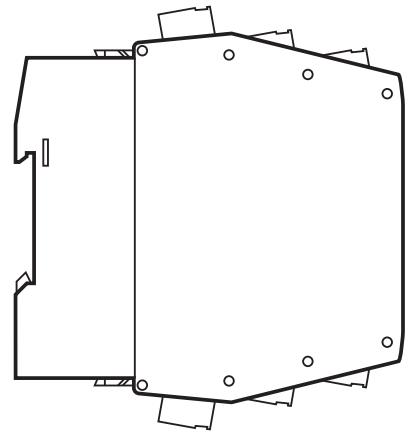


Installation instructions  
AS-i module

UK

**AC2257**

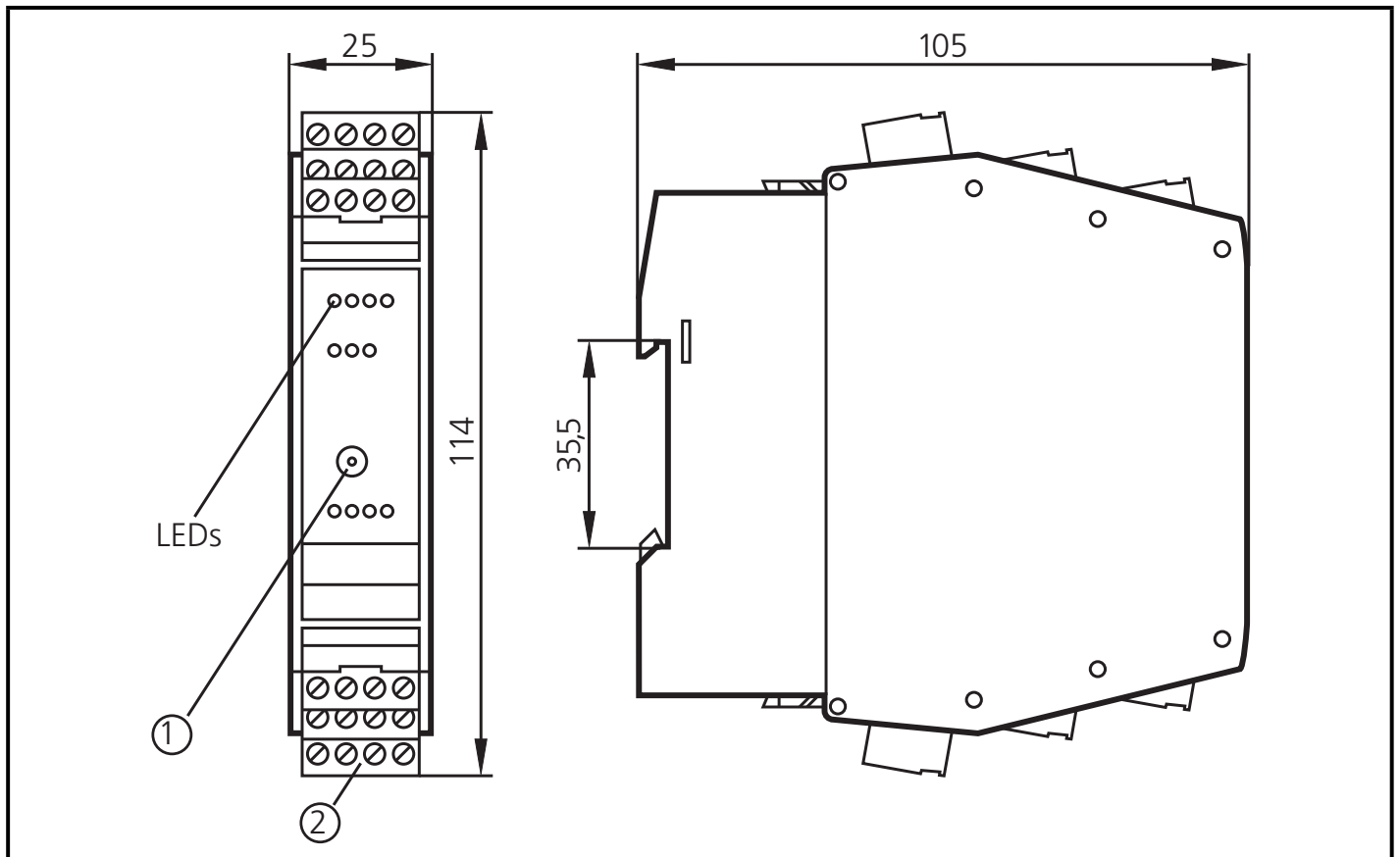
7390848/01 11/2018



## Function and features

- AS-i profile: S-7.0.E
- maximum number of modules per master: 31
- AS-interface version 2.1
- external PELV voltage supply for inputs

## Operating and display elements



1: addressing socket

2: Combicon plug with screw terminals (optional)

## Mounting

Mount the module onto a 35 mm rail or fasten it onto a mounting device.

## Technical data

You can download the data sheet from the Internet if required ([www.ifm.com](http://www.ifm.com)).

## Addressing

At the factory the address is set to 0.

## Addressing with the addressing unit AC1154

When mounted and wired the module can be addressed by connecting the addressing cable (E70213) to the implemented addressing socket.



Do not remove the addressing plug while live.

## Electrical connection



Disconnect power! Connect the sensors and actuators with the terminals. The sensors must be supplied with external PELV voltage.

UK

Connection	
A+:	AS-i +
A-:	AS-i -
I+:	sensor supply +24 V
I-:	sensor supply 0 V
E+:	external sensor supply for sensors / actuators
E-:	external sensor supply for sensors / actuators
I1 ... I4:	switching inputs sensors 1...4
O1 ... O4:	switching outputs actuators 1...4
O-:	switching output actuator 0 V
LEDs 1:	switching status indication sensor inputs
LEDs 2:	AS-i, FAULT, AUX
LEDs 3:	switching status indication actuator outputs
ADR	addressing socket

## Operation

Check the safe functioning of the unit. Display by LEDs:

- LED green (AS-i): voltage supply via the AS-i network o.k.
- LED green (AUX): external voltage supply o.k.
- LED yellow: input/output switched
- LED red is lit (FAULT): AS-i communication error, e. g. slave address 0
- LED red flashing (FAULT): peripheral error, e.g. no auxiliary voltage