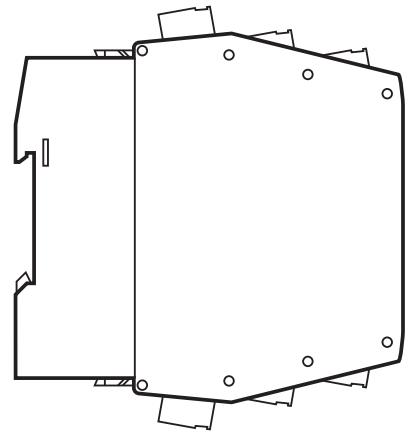


Installation instructions
AS-i module

UK

AC2259

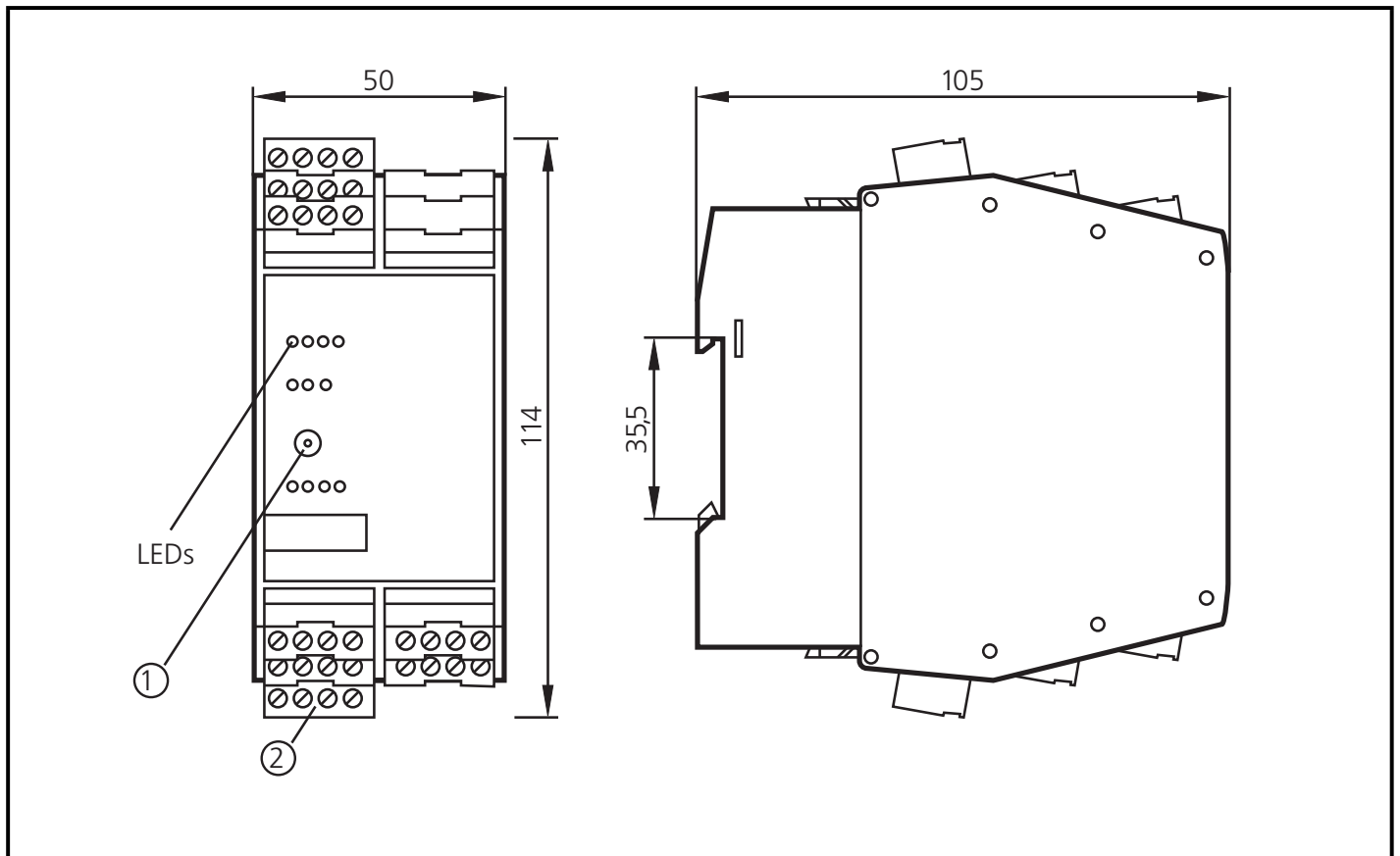
7390605/02 11/2018



Function and features

- AS-i profile: S-7.0.E
- relay contacts rated up to a voltage of 240 V
- maximum number of modules per master: 31
- AS-Interface version 2.1
- input supply from external PELV voltage source
- This module is only intended for installation in closed electrical operating areas

Operating and display elements



- 1: addressing socket
2: Combicon plug with screw terminals (optional)

Mounting

Mount the module onto a 35 mm rail or fasten it onto a mounting device.

Technical data

You can download the data sheet from the Internet if required (www.ifm.com).

Addressing

Assign a free address between 1 and 31; the factory preset is 0

Addressing with the addressing unit AC1154

When mounted and wired the module can be addressed by connecting the addressing cable (E70213) to the implemented addressing socket.



Do not remove the addressing plug while live.

Electrical connection



Disconnect power! Connect the sensors and actuators with the terminals. The sensors must be supplied with external PELV voltage.

UK

Connection		
A+:	AS-i +	
A-:	AS-i -	
I+:	sensor supply +24 V	
I-:	sensor supply 0 V	
E+:	external sensor supply +24 V	
E-:	external sensor supply 0 V	
I1 ... I4:	switching inputs sensors 1...4	
LEDs 1:	switching status indication sensor inputs	
LEDs 2:	AS-i, FAULT, AUX	
LEDs 3:	switching status indication actuator outputs	
ADR	addressing socket	
		<p>O1 O2 O3 O4</p> <p>12 14 22 24 32 34 42 44</p> <p>11 21 31 41</p>

Operation

Check the safe functioning of the unit. Display by LEDs:

- LED green: voltage supply via the AS-i network o.k. or external power supply o.k.
- LED yellow: input / output switched
- LED red is lit: AS-i communication error, e. g. slave address 0
- LED red flashing: peripheral fault, e.g. no auxiliary voltage