



Installation instructions
Process adapters for units with
G $\frac{1}{2}$ hygienic fitting

UK

08 / 2019



706034 / 01

Contents

1 Preliminary note.....	2
1.1 Symbols used	2
2 Safety instructions	3
3 Functions and features	3
3.1 Basic notes	4
4 Installation.....	4
4.1 Installation sensor - adapter	4
5 Operation	5

1 Preliminary note

1.1 Symbols used

- ▶ Instruction
- > Reaction, result
- [...] Designation of keys, buttons or indications
- Cross-reference
-  Important note
Non-compliance may result in malfunction or interference
-  Information
Supplementary note

2 Safety instructions

- The device described is a subcomponent for integration into a system.
 - The manufacturer is responsible for the safety of the system.
 - The system manufacturer undertakes to perform a risk assessment and to create a documentation in accordance with legal and normative requirements to be provided to the operator and user of the system. This documentation must contain all necessary information and safety instructions for the operator, the user and, if applicable, for any service personnel authorised by the manufacturer of the system.
- Read this document before setting up the product and keep it during the entire service life.
- The product must be suitable for the corresponding applications and environmental conditions without any restrictions.
- Only use the product for its intended purpose (→ Functions and features).
- Only use the product for permissible media (→ Technical data).
- If the operating instructions or the technical data are not adhered to, personal injury and/or damage to property may occur.
- The manufacturer assumes no liability or warranty for any consequences caused by tampering with the product or incorrect use by the operator.
- Installation, set-up, operation and maintenance of the product must be carried out by personnel qualified and authorised for the respective activity.
- Protect units against damage.

UK

3 Functions and features

The process adapter allows the hygienic installation of sensors with G $\frac{1}{2}$ hygienic fitting in tanks or piping systems.



When mounted in restricted spaces: Adhere to the minimum distances as indicated in the operating instructions of the sensor to avoid malfunction and damage to the sensor.

3.1 Basic notes



When used in hygienic areas to EHEDG and 3-A:

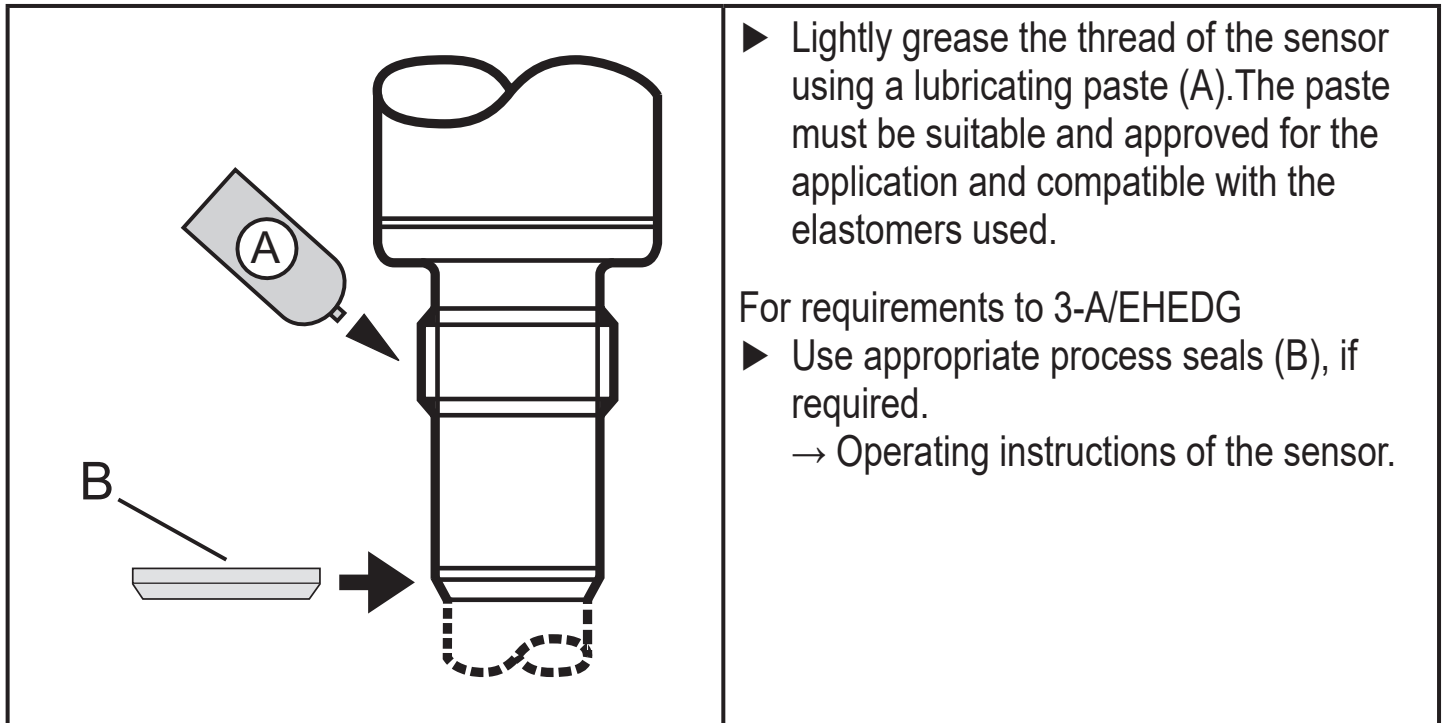
- ▶ Adhere to the applicable EHEDG and 3-A directives.
- ▶ Assure EHEDG-compliant or 3-A-compliant integration of the adapter in the plant (therefore observe the respective notes in the operating instructions of the sensor to be used).

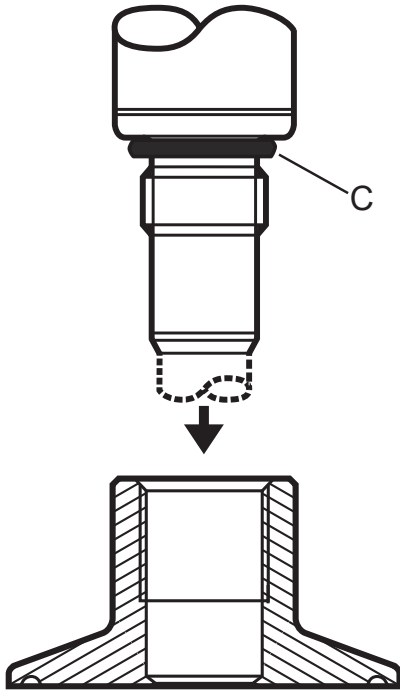
4 Installation



- ▶ Installation must be carried out by qualified staff.
- ▶ Observe the notes on installation in the operating instructions of the corresponding sensor.
- ▶ Ensure cleanliness of the sealing areas. Therefore remove protective packaging only just before mounting.
- ▶ If the sealing areas are damaged: replace the adapter.

4.1 Installation sensor - adapter

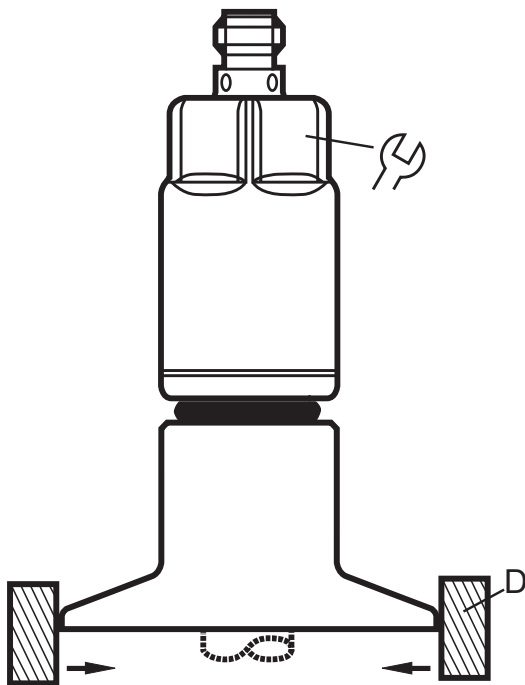




The sealing between the housing and the process connection (C) is not suited for applications subjected to pressure.

When pressure is applied:

- ▶ Use suitable seals → Operating instructions of the sensor.
- ▶ Screw the sensor into the adapter until it is hand-tight.
- ▶ Neither damage the seals nor the sealing areas.



- ▶ Clamp the sensor and adapter into a clamping device (D). Do not deform or damage the adapter.
- ▶ Tighten the sensor using a spanner (tightening torque: → Operating instructions of the sensor).
- ▶ Remove the unit (sensor and adapter) from the clamping device. Then mount the unit in the plant.

5 Operation

- ▶ Before set-up: Check the tank or pipe for ingress resistance.
- ▶ Set-up of the sensor: → Operating instructions of the sensor.

More information at www.ifm.com