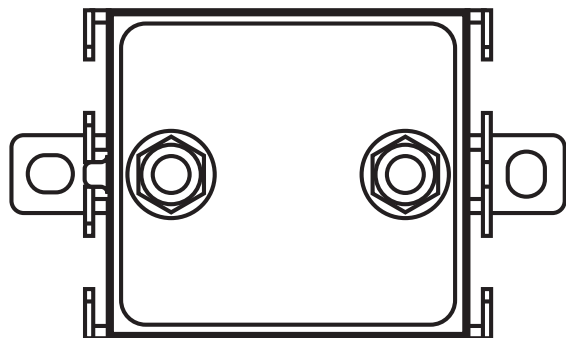


Installation instructions  
Flat cable splitter

**E70377**

**UK**

80275346 / 00 06 / 2018



# 1 Preliminary note

Technical data, approvals, accessories and further information at [www.ifm.com](http://www.ifm.com).

## 1.1 Symbols used

▶ Instructions

→ Cross-reference



Important note

Non-compliance may result in malfunction or interference.



Information

Supplementary note.

## 2 Safety instructions

- Read this document before setting up the product and keep it during the entire service life.
- The product must be suitable for the corresponding applications and environmental conditions without any restrictions.
- Only use the product for its intended purpose (→ Functions and features).
- If the operating instructions or the technical data are not adhered to, personal injury and/or damage to property may occur.
- The manufacturer assumes no liability or warranty for any consequences caused by tampering with the product or incorrect use by the operator.
- Installation, electrical connection, set-up, operation and maintenance of the product must be carried out by qualified personnel authorised by the machine operator.
- Protect units and cables against damage.

## 3 Functions and features

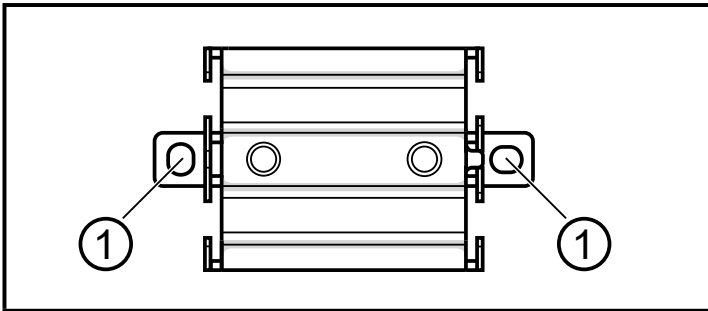
The FC splitter is used to add

- an AS-i spur (yellow / yellow)
- or a spur for the external auxiliary voltage (black/black)

## 4 Installation

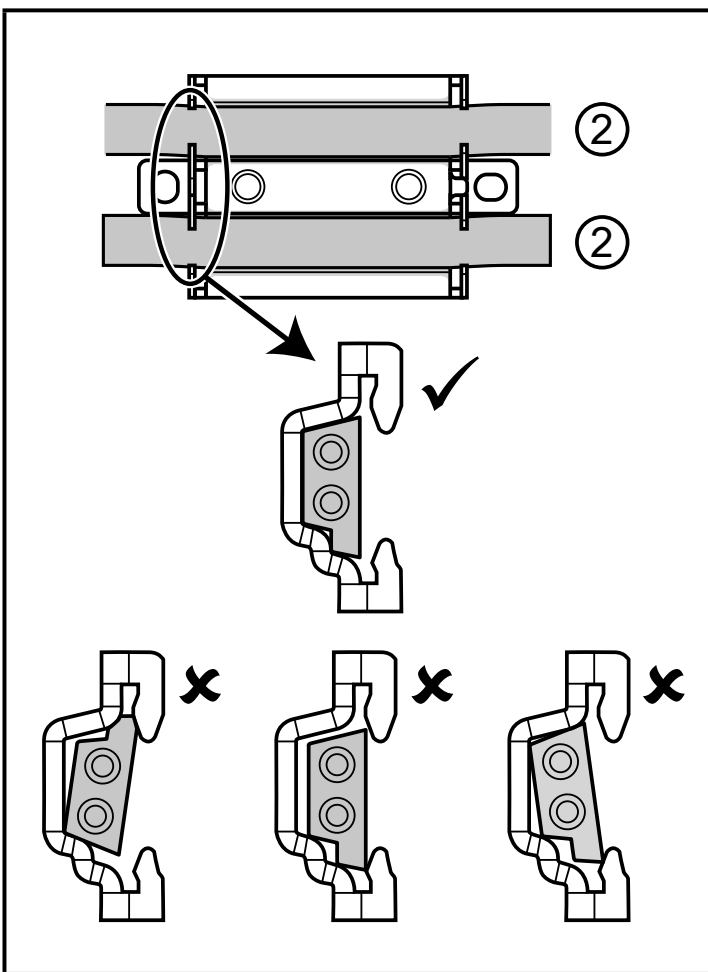


▶ Disconnect power before installation.



Step 1: Install lower part

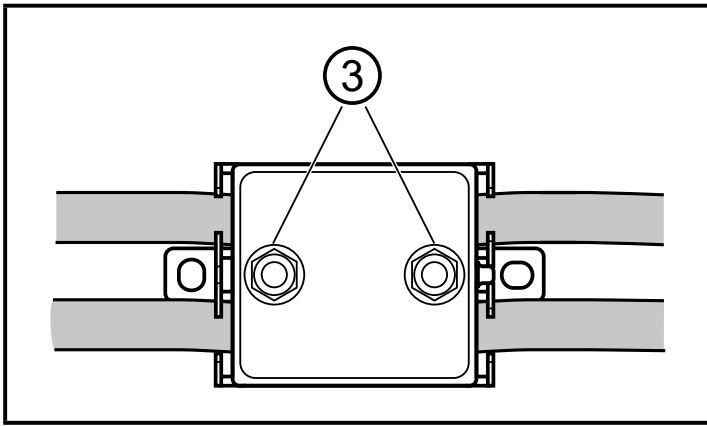
- ▶ Choose a plane mounting surface.
- ▶ Fix the lower part to the mounting surface at the mounting holes (1).



Step 2: Insert cable

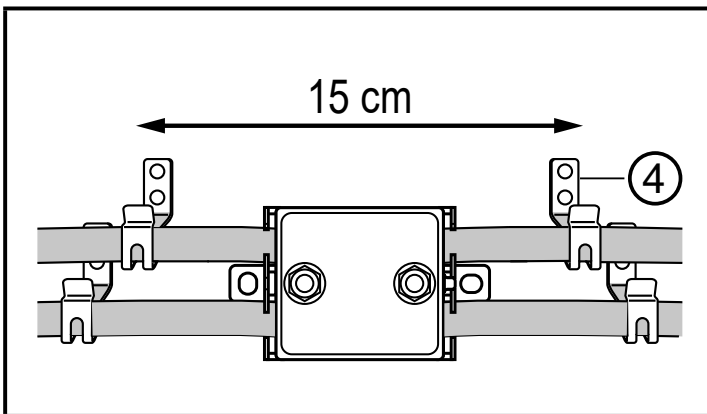
- ▶ Insert both yellow AS-i flat cables (2) for the AS-i voltage in the cable duct.
- ▶ As an alternative, insert both 24 V black flat cables (2) in the cable duct.

UK



Step 3: Fit upper part

- ▶ Place the upper part.
- ▶ Tighten the fixing screws (3) alternately.  
Tightening torque 2.5 Nm.

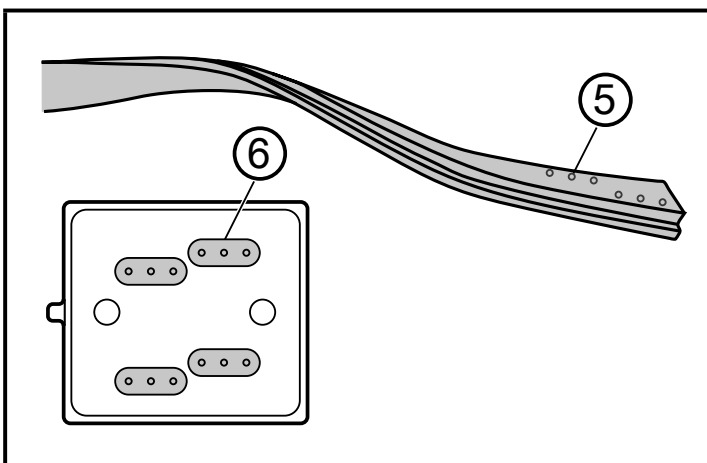


Step 4: Lay flat cable

- ▶ Lay flat cable; straight for a minimum of 15 cm.
- ▶ If necessary, use AS-i clips (4).



AS-i clips are not supplied with the unit. Information at [www.ifm.com](http://www.ifm.com) → Data sheet E70377 → Accessories.



Step 5: Replace flat cable splitter

- ▶ Note on replacement:  
Precisely use the pierced points of the AS-i flat cable (5) or at least position within the black seal (6) of the flat cable splitter.