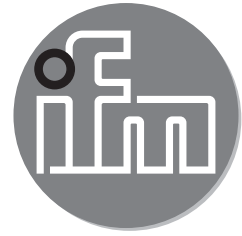


ifm electronic



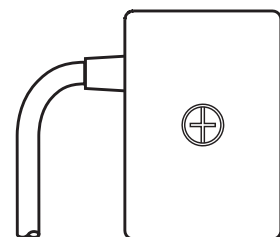
Installation instructions
FC insulation displacement connector

AS interface



E70582

UK

7391050/00 05/2015



1 Preliminary note

- ▶ Instruction
- > Reaction, result
-  Information
-  Supplementary note.

2 Safety instructions

- Please read the product description prior to set-up of the unit. Ensure that the product is suitable for your application without any restrictions.
- The unit conforms to the relevant regulations and EC directives.
- Improper or non-intended use may lead to malfunctions of the unit or to unwanted effects in your application.
- That is why installation, electrical connection, set-up, operation and maintenance of the unit must be carried out by qualified personnel authorised by the machine operator.

3 Functions and features

The FC insulation displacement connector carries the AS-i voltage and the external 24 V supply from the flat cable to the M12 socket.

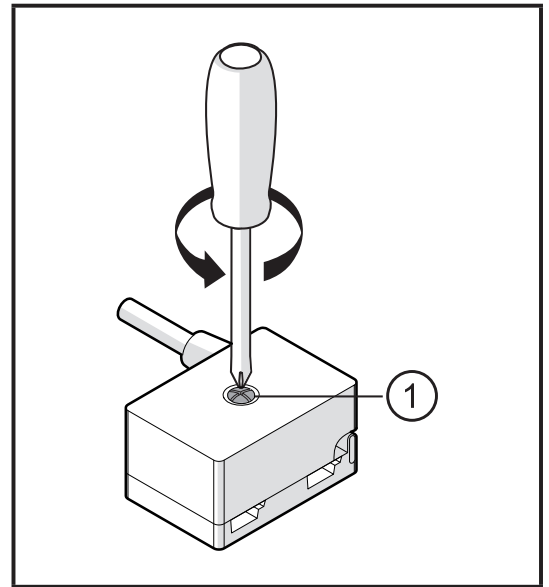
- Current rating 4 A.

4 Installation

- ▶ Disconnect power.
- ▶ Choose a flat mounting surface and fix the device on it (mounting holes 1). The mounting screws are not supplied.

- ▶ Loosen screw 1 (included) and open the device.

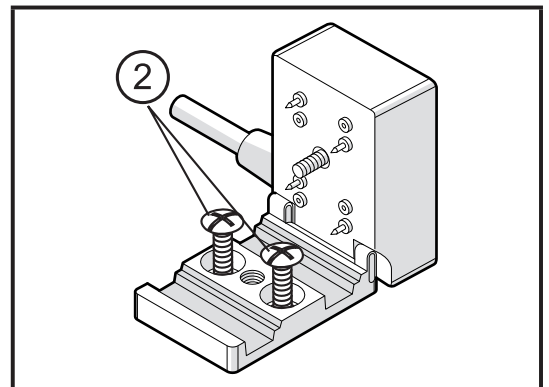
1: Screw (tightening torque 1.65 Nm)



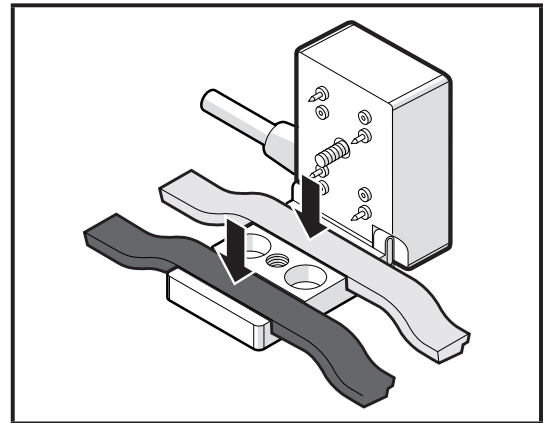
UK

- ▶ Choose a flat mounting surface and fix the device on it (mounting holes 2).

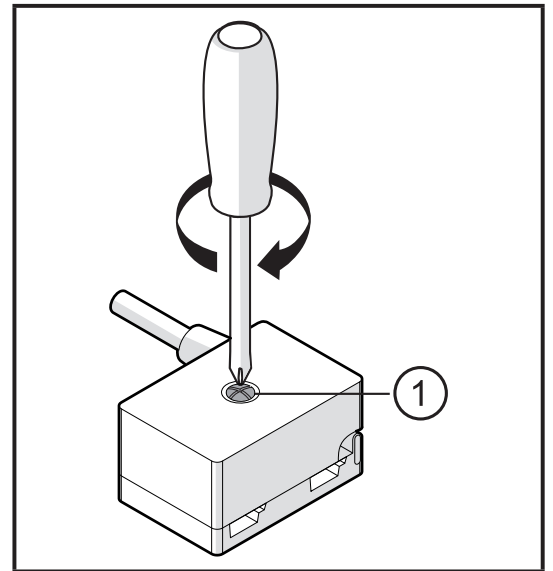
The mounting screws are not supplied.



- ▶ Insert the yellow AS-i flat cable for the AS-i voltage in the upper flat cable duct.
- ▶ Insert the black flat cable for the external auxiliary voltage in the lower flat cable duct.
- ▶ Place the cable correctly in the profile slot.



- ▶ Close the upper part and firmly tighten screw 1, tightening torque 1.65 Nm.



- ▶ Seal open flat cable ends using the flat cable seal (E70413, to be ordered separately) to ensure the protection rating.

Technical data and further information at www.ifm.com

For the scope of cULus:

- Rated operating voltage ≤ 32 V PELV
- Rated operating current ≤ 3 A
- Ambient temperature $-25\dots75$ °C
- Enclosure type 1
- For use in NFPA 79 applications only.
- The device shall be connected only by using any R/C (AVLV2/AVLV8) AS-i flat cable, style 2103 with TPE or style 20549 with PUR insulation, for field connection in respect of the Conditions of Acceptability, having suitable ratings.