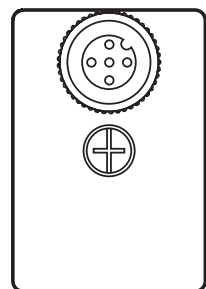


Installation instructions
FC insulation displacement connector

UK

E70585
E70586
E70587

80271731/00 12/2017



1 Preliminary note

Technical data, approvals, accessories and further information at www.ifm.com.

2 Safety instructions

- Read this document before setting up the product and keep it during the entire service life.
- The product must be suitable for the corresponding applications and environmental conditions without any restrictions.
- Only use the product for its intended purpose (→ Functions and features).
- If the operating instructions or the technical data are not adhered to, personal injury and/or damage to property may occur.
- The manufacturer assumes no liability or warranty for any consequences caused by tampering with the product or incorrect use by the operator.
- Installation, electrical connection, set-up, operation and maintenance of the product must be carried out by qualified personnel authorised by the machine operator.
- The plant manufacturer is responsible for the safety of the plant in which the device is installed.
- If the device is used in a way that is not intended by the manufacturer, the protection supported by the device may be impaired.
- Protect units and cables against damage.

3 Functions and features

E70585 / E70586

The FC insulation displacement connector carries the AS-i voltage from the flat cable to the M12 socket.

- Current rating 4 A.



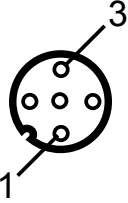
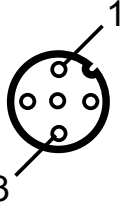
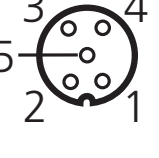
The connectors E70585 and 70586 differ in the orientation of the M12 socket (keyway).

E70587

The FC insulation displacement connector carries the AS-i voltage and the external 24 V supply from the flat cable to the M12 socket.

- Current rating 4 A.

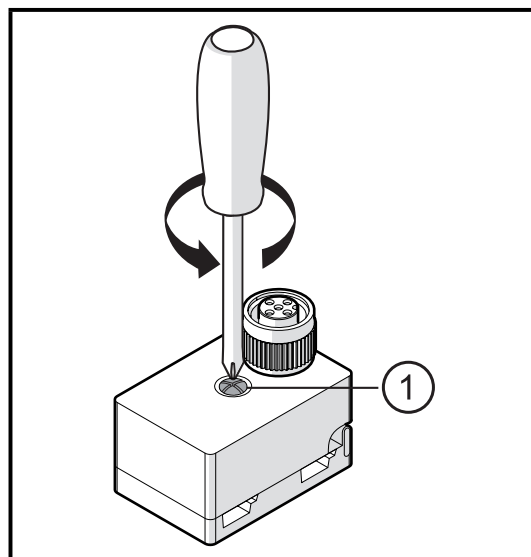
4 Wiring

	E70586 1: AS-i + 3: AS-i -		E70585 1: AS-i + 3: AS-i -		E70587 1: AS-i + 2: AUX - 3: AS-i - 4: AUX +
---	---	---	---	---	---

UK

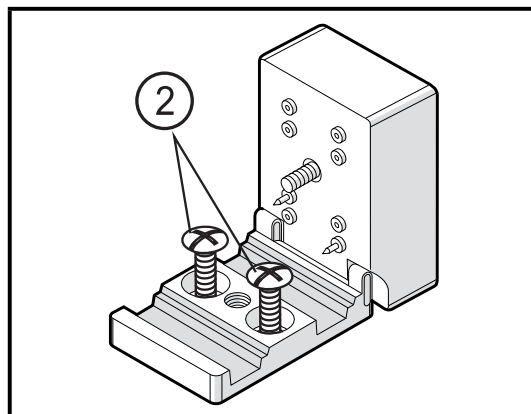
5 Installation

- ▶ Disconnect power.
 - ▶ Loosen screw 1 (included) and open the device.
- 1: screw (tightening torque 1.65 Nm)

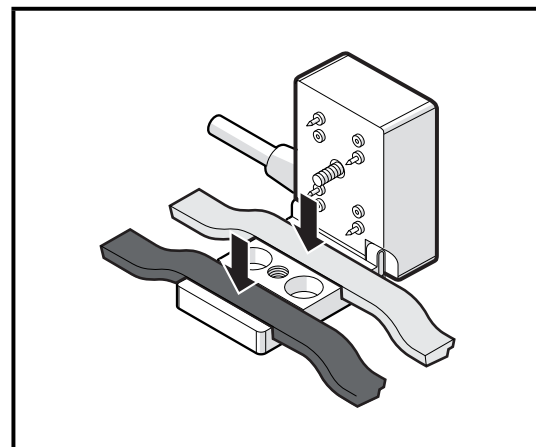


- ▶ Choose a flat mounting surface and fix the device on it (mounting holes 2). The mounting screws are not supplied.

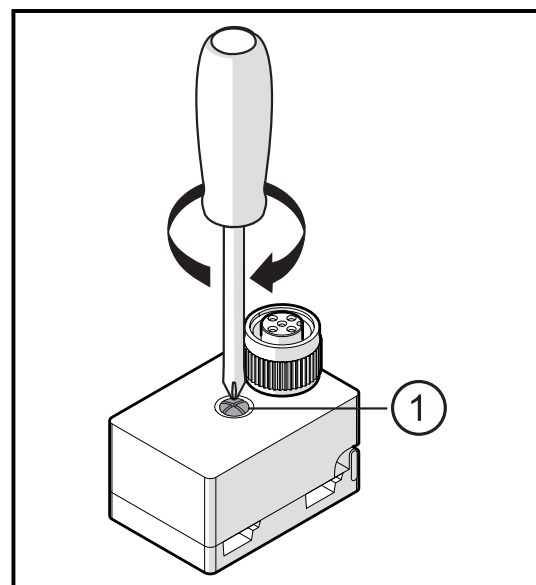
2: mounting holes



- ▶ Insert the yellow AS-i flat cable for the AS-i voltage in the upper flat cable duct.
- ▶ Insert the black flat cable for the external auxiliary voltage in the lower flat cable duct (only E70587).
- ▶ Place the cable correctly in the profile slot.



- ▶ Close the upper part and firmly tighten screw 1, tightening torque 1.65 Nm.



- ▶ Seal open flat cable ends using the flat cable seal (E70413, to be ordered separately) to ensure the protection rating.