



PSEN im1

Accessories PNOZmulti

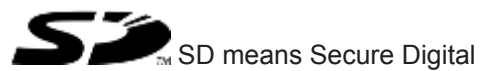


pilz

This document is a translation of the original document.

All rights to this documentation are reserved by Pilz GmbH & Co. KG. Copies may be made for internal purposes. Suggestions and comments for improving this documentation will be gratefully received.

Pilz®, PIT®, PMI®, PNOZ®, Primo®, PSEN®, PSS®, PVIS®, SafetyBUS p®, SafetyEYE®, SafetyNET p®, the spirit of safety® are registered and protected trademarks of Pilz GmbH & Co. KG in some countries.



Introduction	4
Validity of documentation	4
Retaining the documentation	4
Definition of symbols	4
The interface PSEN im1	5
For your safety	5
Unit features	5
Internal wiring diagram	6
Function description	6
Dimensions	6
Installation	6
Pin assignment	7
Preparing for operation	7
Technical Details	8
Order reference	9

Introduction

Validity of documentation

This documentation is valid for the product PSEN im1. It is valid until new documentation is published.

This operating manual explains the function and operation, describes the installation and provides guidelines on how to connect the product.

Retaining the documentation

This documentation is intended for instruction and should be retained for future reference.

Definition of symbols

Information that is particularly important is identified as follows:



DANGER!

This warning must be heeded! It warns of a hazardous situation that poses an immediate threat of serious injury and death and indicates preventive measures that can be taken.



WARNING!

This warning must be heeded! It warns of a hazardous situation that could lead to serious injury and death and indicates preventive measures that can be taken.



CAUTION!

This refers to a hazard that can lead to a less serious or minor injury plus material damage, and also provides information on preventive measures that can be taken.



NOTICE

This describes a situation in which the product or devices could be damaged and also provides information on preventive measures that can be taken. It also highlights areas within the text that are of particular importance.

**INFORMATION**

This gives advice on applications and provides information on special features.

The interface PSEN im1

One or more pressure-sensitive protective devices (safety mats and safe edges) can be connected to the configurable control system PNOZmulti and evaluated using the interface PSEN im1.

Only pressure-sensitive protective devices that have been approved by Pilz may be connected to the PSEN im1. Details can be found in the certificate showing approved pressure-sensitive protective devices.

Only pressure-sensitive protective devices without installed terminating resistors are suitable.

Suitable evaluation devices are those base units from the configurable control system PNOZmulti that are listed in the certificate showing approved pressure-sensitive protective devices. And the expansion module PNOZ mi1p.

You must also refer to

- ▶ The operating manuals provided with the PNOZmulti units
- ▶ The chapter entitled "Safety Mat/Safe Edge" in the "Special Applications" document
- ▶ The installation manual and user information provided by the respective safety mat/safe edge manufacturer

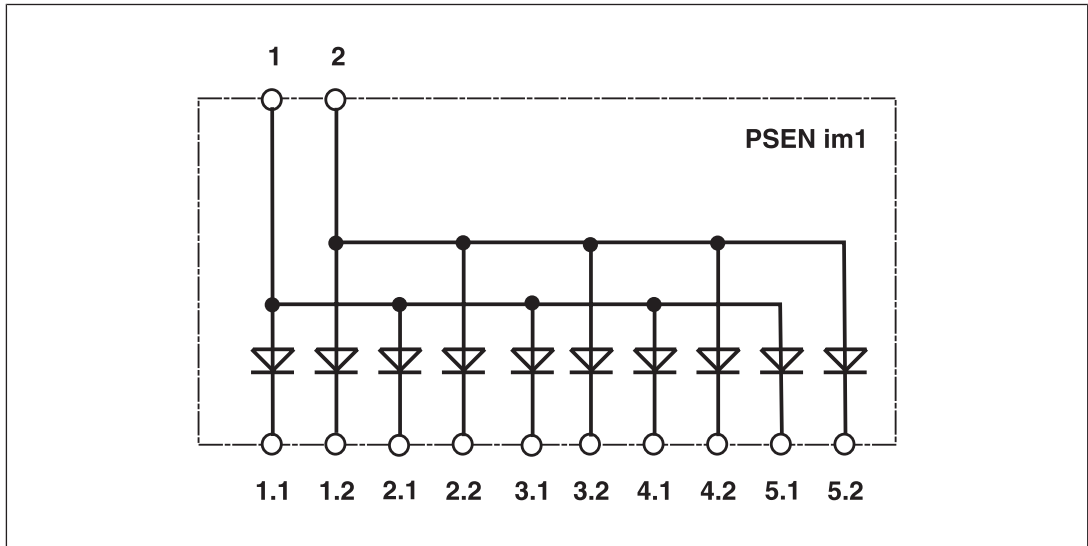
For your safety

- ▶ Only install and commission the unit if you have read and understood these operating instructions and are familiar with the applicable regulations for health and safety at work and accident prevention.
Ensure VDE and local regulations are met, especially those relating to safety.
- ▶ Any guarantee is rendered invalid if the housing is opened or unauthorised modifications are carried out.

Unit features

- ▶ 1 dual-pole input for connecting the test pulse outputs from PNOZmulti base units
- ▶ Connection option for max. 5 groups of pressure-sensitive protective devices
- ▶ Each group of pressure-sensitive protective devices can include a max. of 5 pressure-sensitive protective devices connected in series.

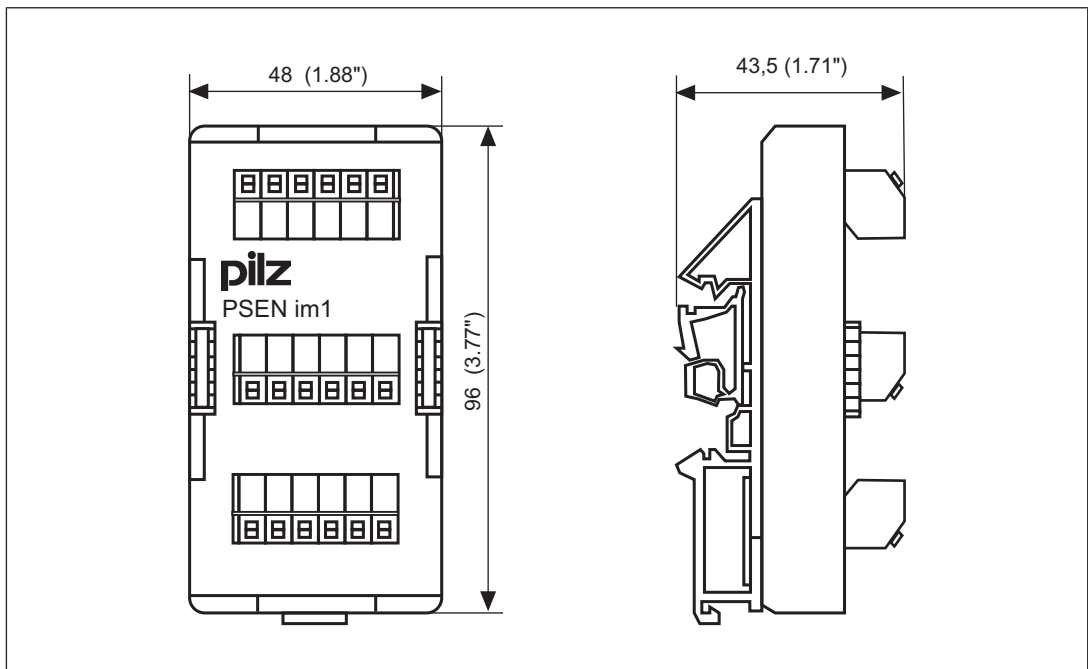
Internal wiring diagram



Function description

The PSEN im1 connects 5 groups of pressure-sensitive protective devices to PNOZmulti units without feedback.

Dimensions

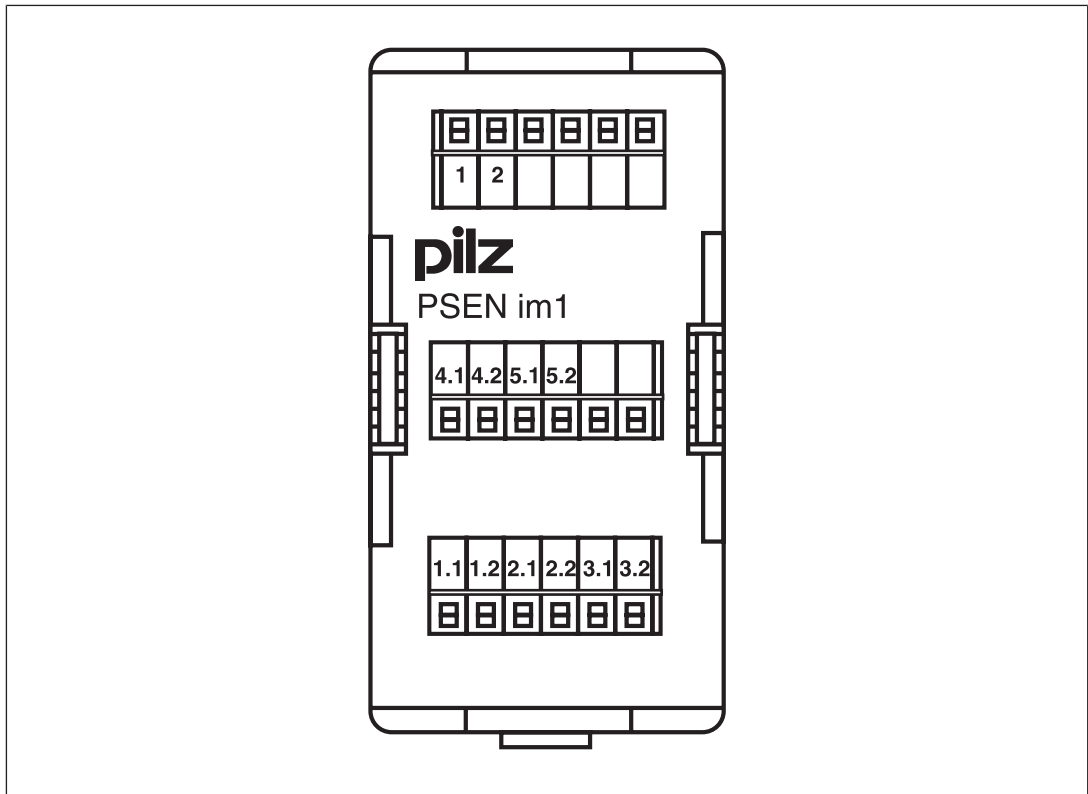


Installation

- ▶ The unit should be installed in a control cabinet with a protection type of at least IP54.
- ▶ Use the notch on the rear of the unit to attach it to a DIN rail.

- ▶ Ensure the unit is mounted securely on a vertical DIN rail (35 mm) by using a fixing element (e.g. retaining bracket or an end angle).

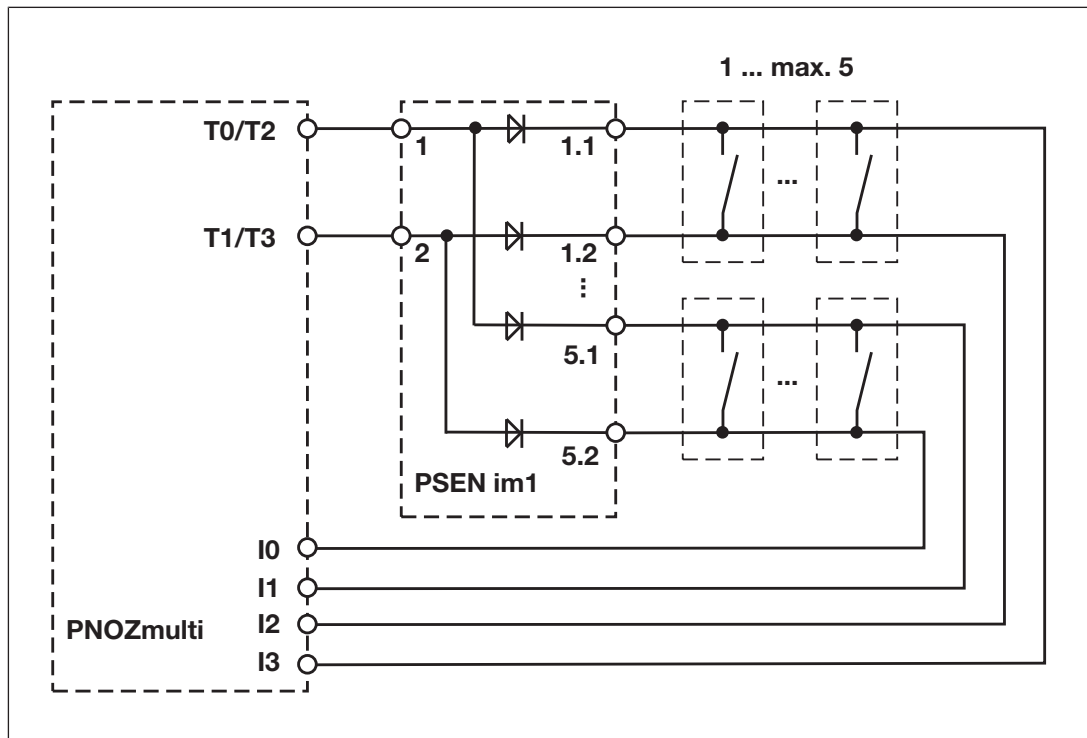
Pin assignment



Preparing for operation

- ▶ Connect the PSEN im1 to
 - the test pulse outputs of the PNOZmulti
 - the inputs of the pressure-sensitive protective devices
- ▶ Connect the pressure-sensitive protective devices to the inputs of the PNOZmulti base unit
- ▶ The configured test pulse outputs should be used exclusively for test pulses on the pressure-sensitive protective devices.
- ▶ Be sure to note the information provided in "Technical details".
- ▶ Permitted per dual-pole input: max. 5 pressure-sensitive protective devices in series
- ▶ Max. area of pressure-sensitive protective device = 8 m²

Connection:



Technical Details

Supply voltage U_B	From PNOZmulti
Voltage tolerance	80...125 %
Power consumption at U_B without load	Max. 0.1 W
Response time (from activation of the pressure-sensitive protective device until an instantaneous safety output drops out)	
▶ Semiconductor output	Max. 50 ms
▶ Relay output	Max. 70 ms
Max. area of pressure-sensitive protective devices per dual-pole input	8 m²
Max. number of pressure-sensitive protective devices connected in series per dual-pole input	5
Max. cable length, PNOZmulti - pressure-sensitive protective device	100 m
Airgap creepage	DIN VDE 0110-1
Climatic suitability	DIN IEC 60068-2-3
EMC	EN 60947-5-3
Vibration to	EN 60068-2-6
▶ Frequency	10...55 Hz
▶ Amplitude	0.35 mm
Ambient temperature	0 ...+60 °C
Storage temperature	-25 ...+70 °C

Protection type	
▶ Mounting area (e.g. control cabinet)	IP54
▶ Housing	IP20
▶ Terminals	IP20
▶ Connection type	Spring-loaded terminals
Cross section of external conductors	
1 core	
▶ Flexible without crimp connectors	
▶ Flexible with crimp connectors, no plastic sleeve	0.5 ... 1.5 mm²
▶ Flexible with crimp connector and with insulating sleeve	0.5 ... 1.5 mm² 0.5 ... 0.75 mm²
Housing material	
▶ Housing	PA 6 UL 94-HB
▶ Base	PA 66 UL 94-V2
Dimensions H x W x D	96 x 48 x 43.5 mm (3.77" x 1.88" x 1.71")
Weight	80 g

The standards current in 2006 apply.

Order reference

Product type	Features	Order no.
PSEN im1	Interface	535 130



Pilz GmbH & Co. KG
Felix-Wankel-Straße 2
73760 Ostfildern, Germany
Telephone: +49 711 3409-0
Telefax: +49 711 3409-133
E-Mail: pilz.gmbh@pilz.de
Internet: www.pilz.com

► ...
In many countries we are represented by our subsidiaries and sales partners.

Please refer to our homepage for further details or contact our headquarters.

► Technical support

+49 711 3409-444
support@pilz.com

pilz