



CE

Operating instructions

ClassicLine module

AC5275

UK

7390738/00 05/2019



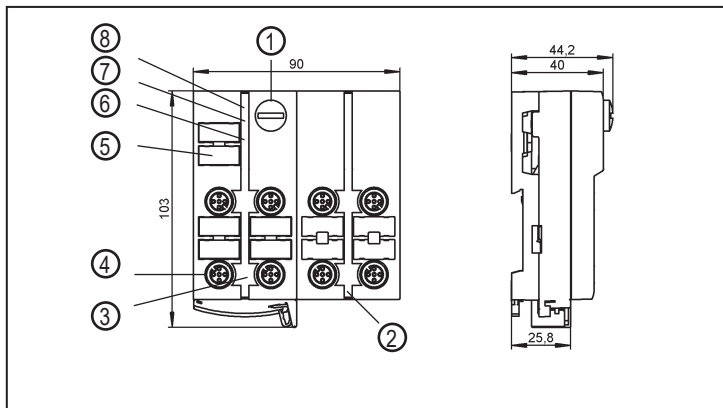
Contents

| | |
|--|----|
| 1 Functions and features | 3 |
| 2 Operating and display elements | 3 |
| 3 Installation | 4 |
| 4 Electrical connection..... | 9 |
| 5 Addressing..... | 9 |
| 5.1 Addressing with the AC1154 addressing unit | 9 |
| 6 Operation..... | 11 |
| 7 Technical data..... | 11 |

1 Functions and features

- Maximum number of modules per master: 62
- The slave AC5275 can only be operated in conjunction with a version 3.0 master (master profile M4)

2 Operating and display elements



- 1: addressing interface
- 2: LED AUX
- 3: LED
- 4: 8 M12 sockets
- 5: labels
- 6: LED 1
- 7: LED FAULT
- 8: LED PWR

3 Installation

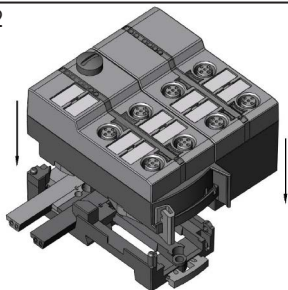
1



Alignment of the flat cable on delivery

Carefully place the yellow and black AS-i flat cable into the profile slot.

2

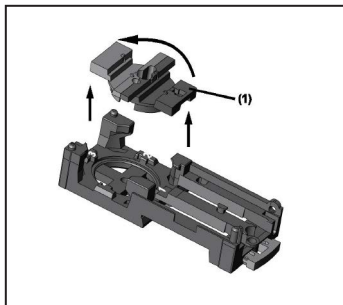


Mount the upper part.

3

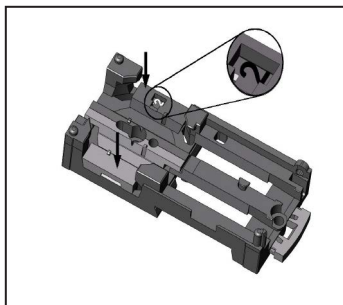


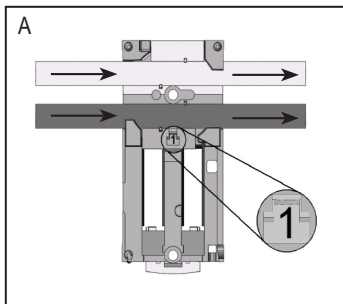
Lock the unit.



With the supplied lower part the flat cable can be aligned in three directions.

For the requested direction place the flat cable guide (1) accordingly.

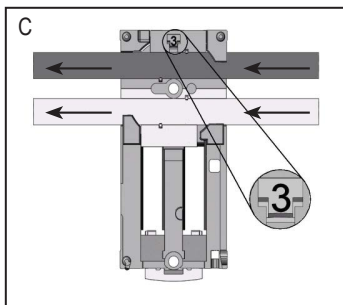
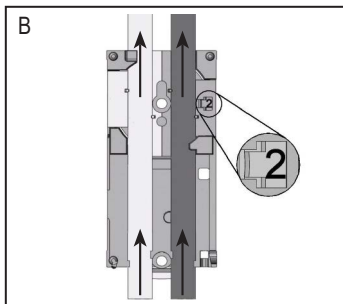


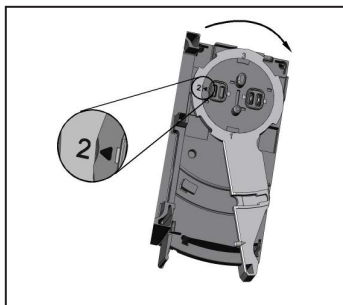


Settings at the lower part

Select the position 1, 2 or 3 depending on the requested flat cable alignment (→).

A = factory setting

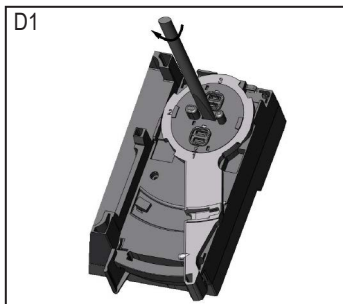




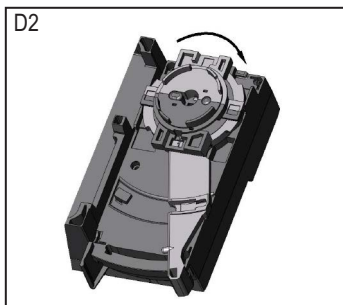
Settings at the upper part

Then set the selected position at the upper part. To do so, turn the triangle to the corresponding number (fig. D1 and D2).

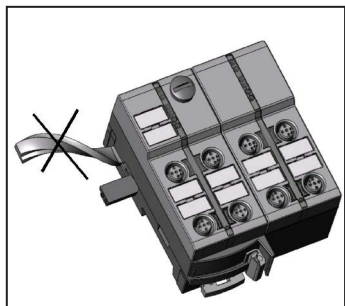
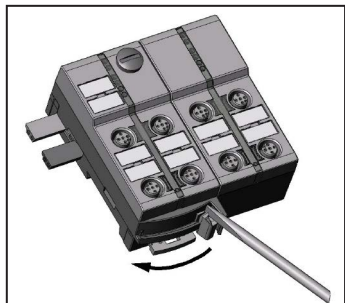
UK



Use a tool, e.g. a screwdriver (figure D1) or the yellow / black flat cable guide (figure D2).



Open the unit



Open the unit using a tool as shown (e.g. screwdriver).

Take care in laying the AS-i flat cable, the flat cable should be laid straight for about 15 cm.

4 Electrical connection

Connect the plugs of the sensors / actuators to the M12 sockets.

To guarantee protection rating IP 67

- cover the unused sockets with protective caps (E73004)*, tightening torque 0.6...0.8 Nm.
- the flat cable end seal (E70413)* must be used if the module is at the end of the cable line.
- * to be ordered separately

UK

5 Addressing

The address is set to 0 at the factory.

5.1 Addressing with the AC1154 addressing unit

When mounted and wired the module can be addressed with the addressing cable (E70213) via the integrated addressing interface.

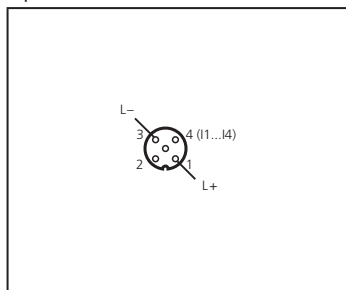
4 inputs / 4 outputs

AS-i profile S-7.A.7 / extended addressing mode: yes

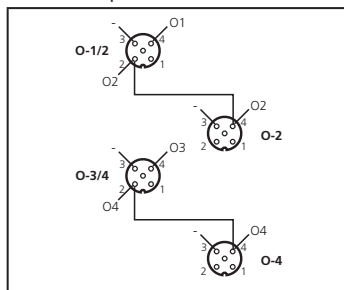
| Data bit | D0 | D1 | D2 | D3 |
|----------|-----|-----|-----|-----|
| Input | I1 | I2 | I3 | I4 |
| Socket | I-1 | I-2 | I-3 | I-4 |

| Output | O1 | O2 | O3 | O4 | | |
|--------|-------|-------|-----|-------|-------|-----|
| Socket | O-1/2 | O-1/2 | O-2 | O-3/4 | O-3/4 | O-4 |

Inputs



Y-circuit outputs



6 Operation



Avoid build-up of dirt and dust on the upper and lower parts so that the locking mechanism is not affected.

- LED yellow: input / output switched
- LED PWR green: AS-i voltage supply ok
- LED AUX green: AS-i voltage supply ok
- LED FAULT red lights: AS-i communication error, slave does not participate in the "normal" exchange of data, e.g. slave address 0
- LED FAULT red flashes: peripheral fault, e.g. sensor supply / output overloaded or shorted
- LED 1 yellow: logic state of the outputs

Overload and short circuit of the input supply and the outputs are signalled as peripheral fault to the AS-i master (version 2.1 or higher).

7 Technical data

Technical data and further information at www.ifm.com.